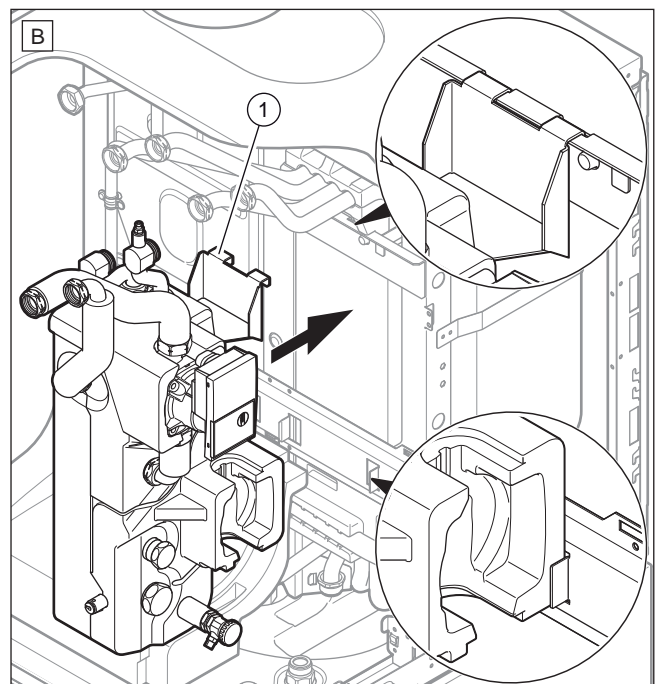
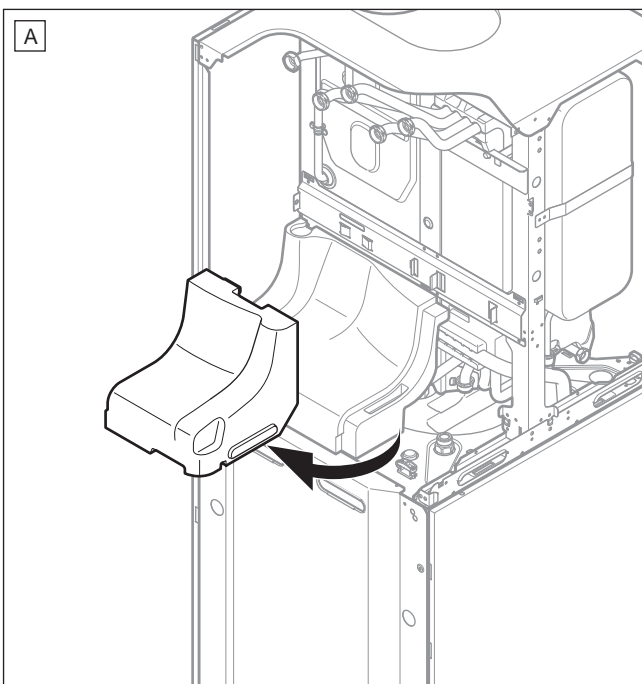
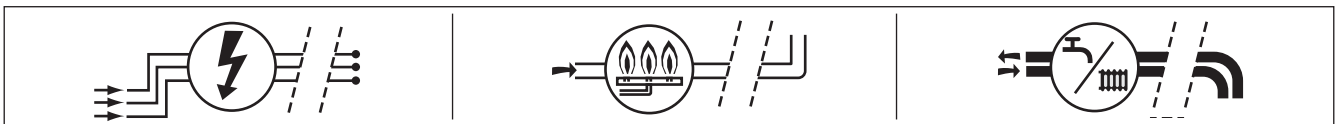
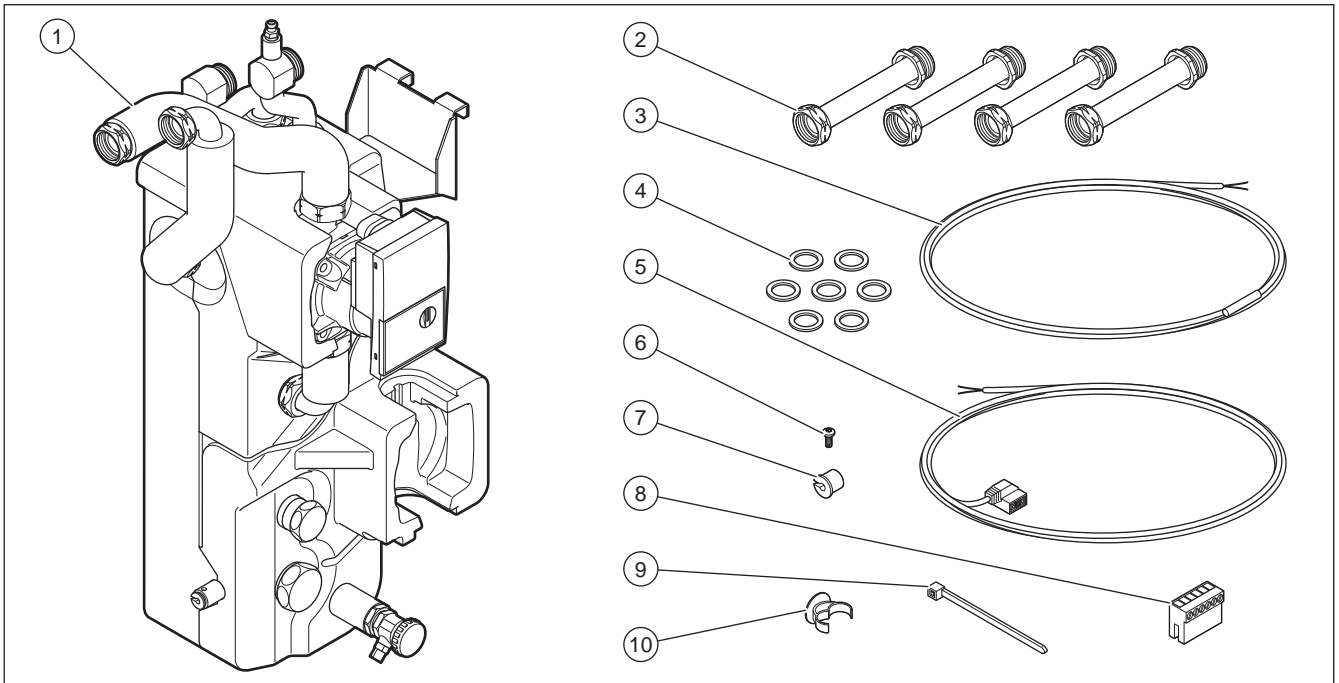
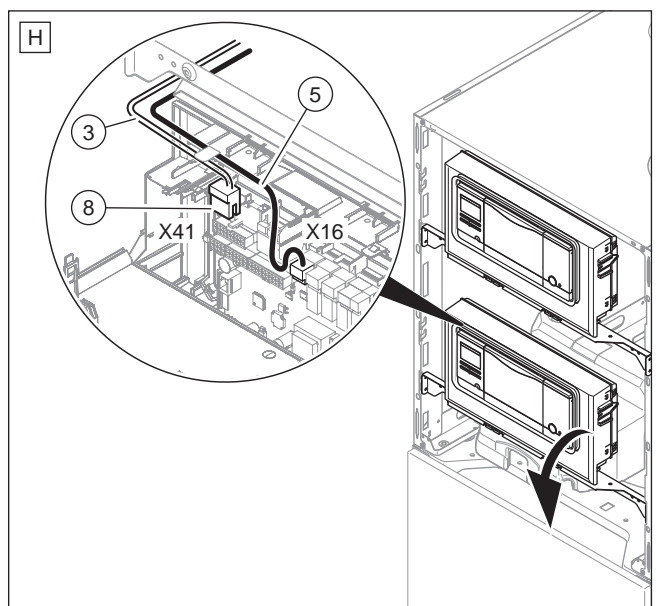
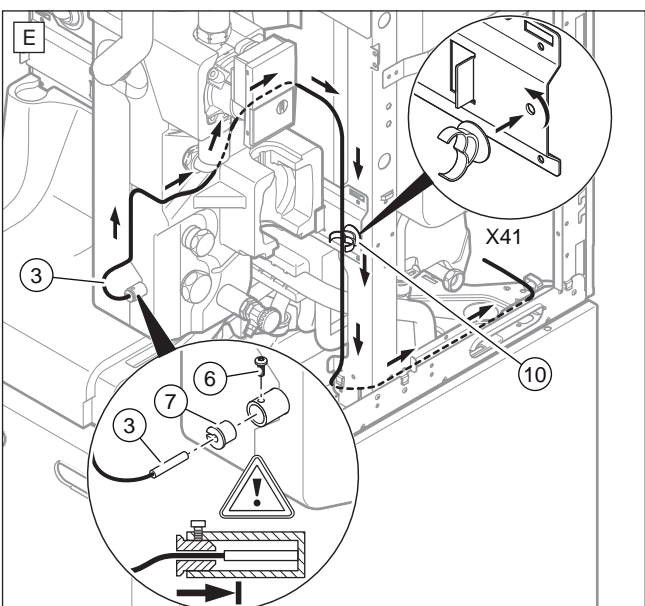
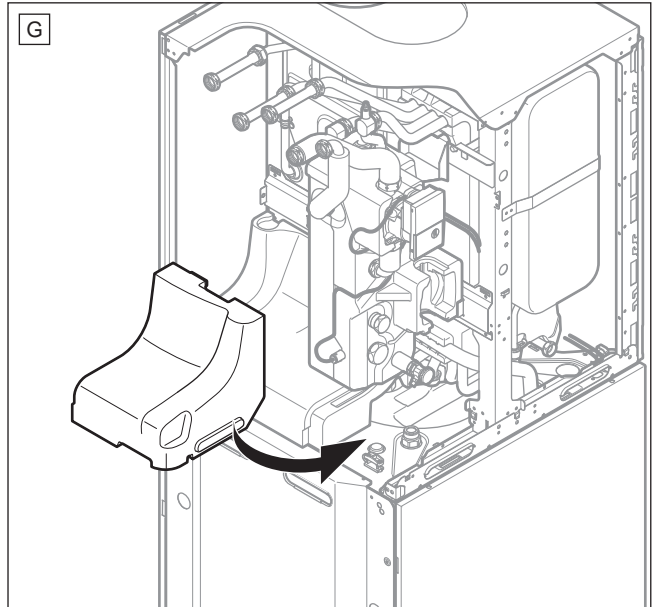
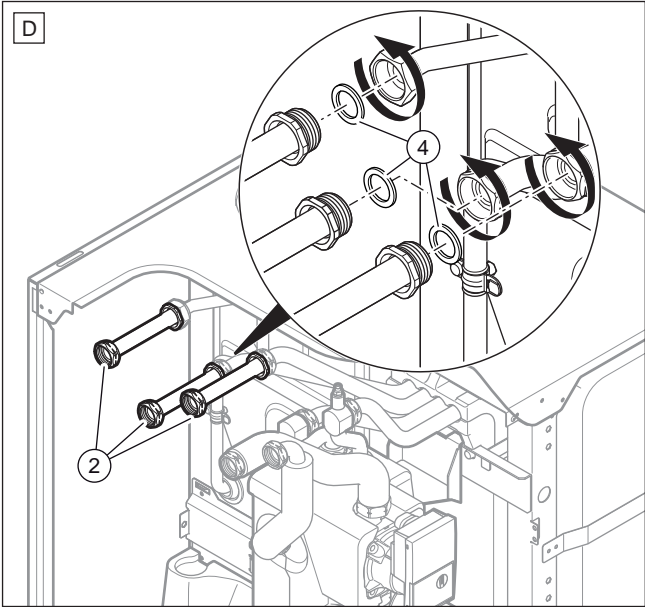
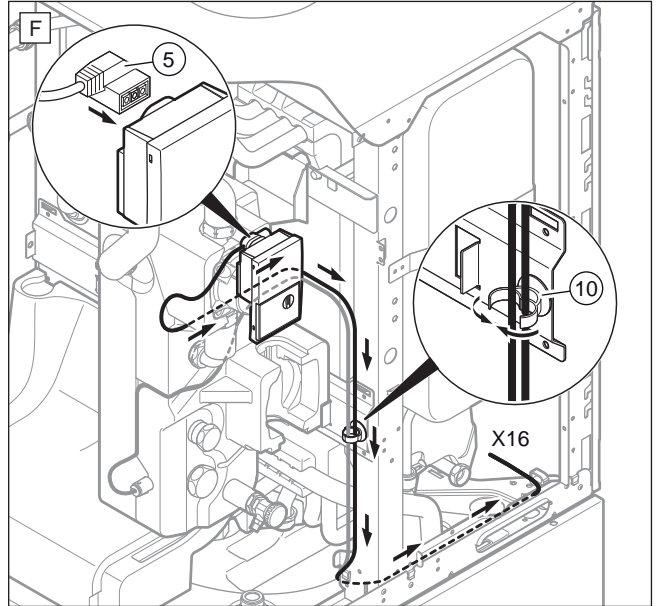
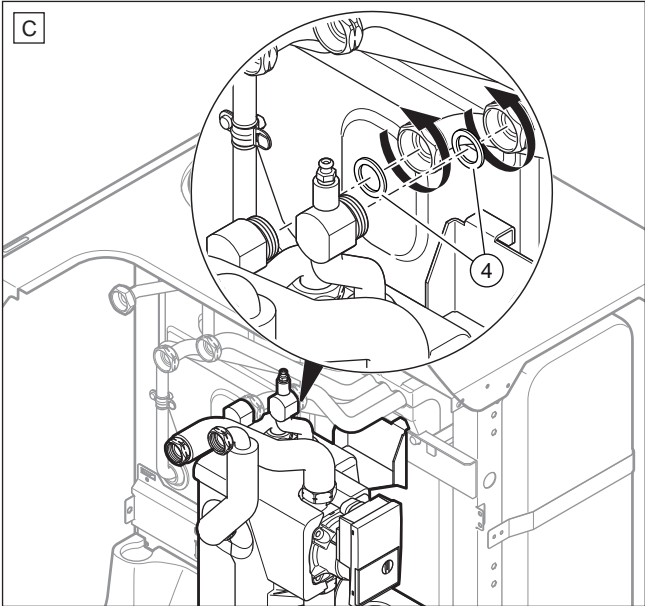
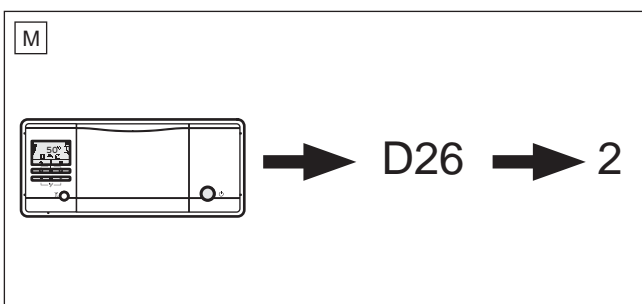
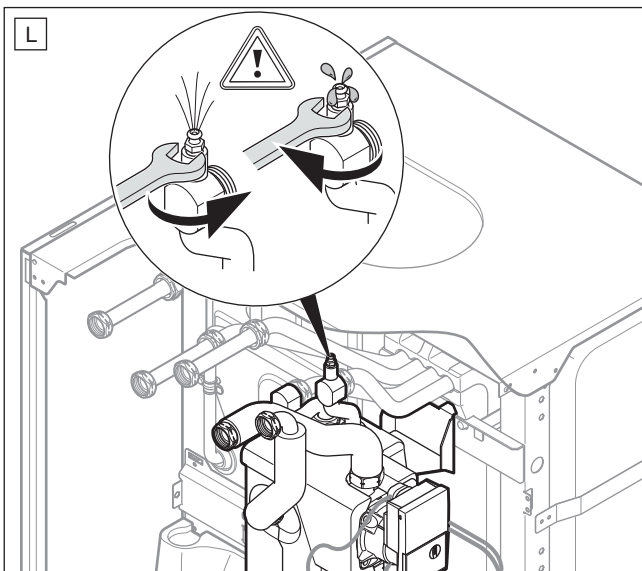
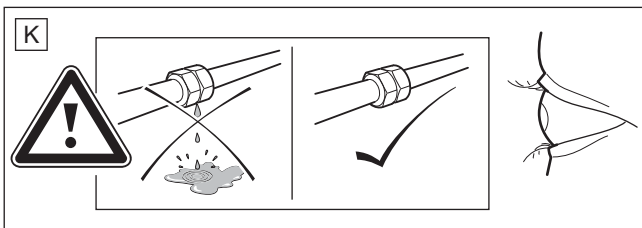
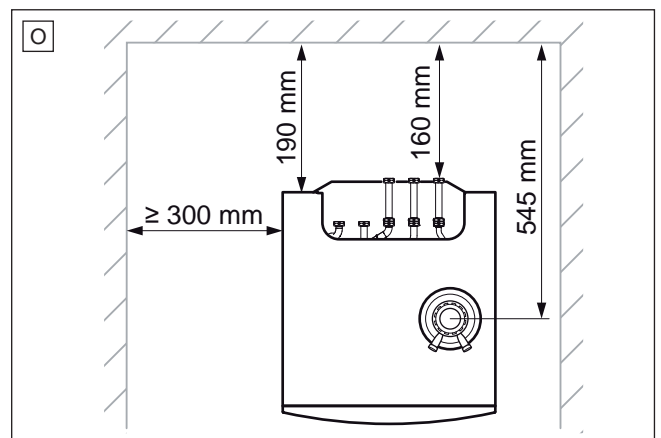
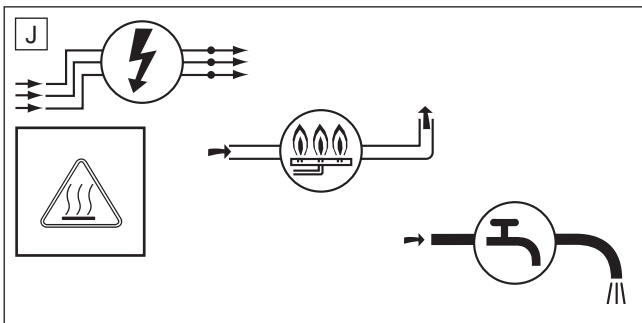
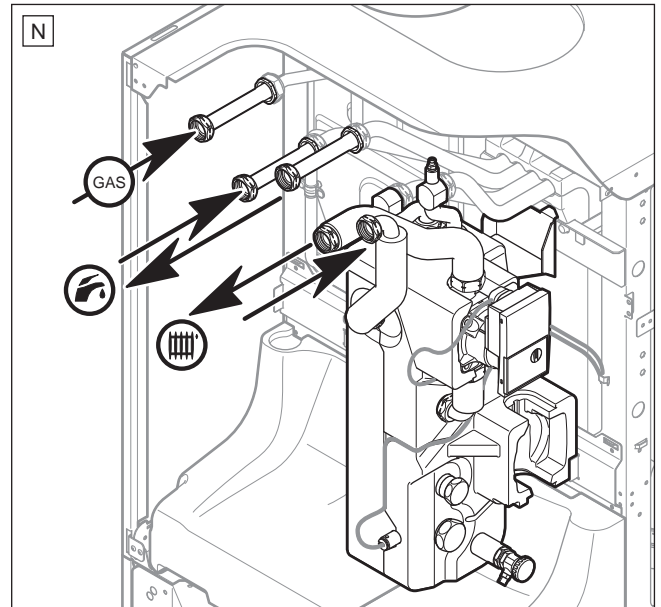
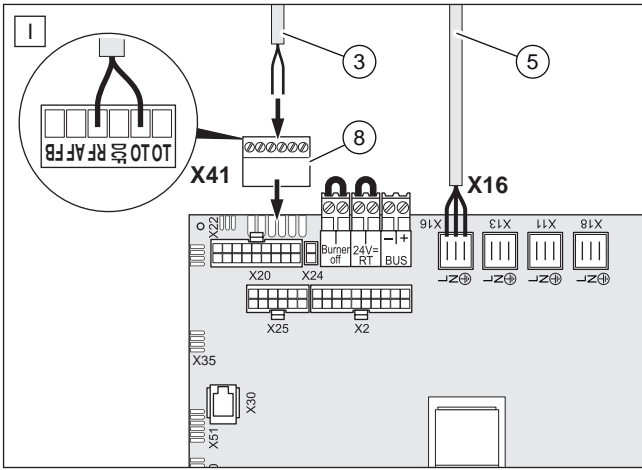
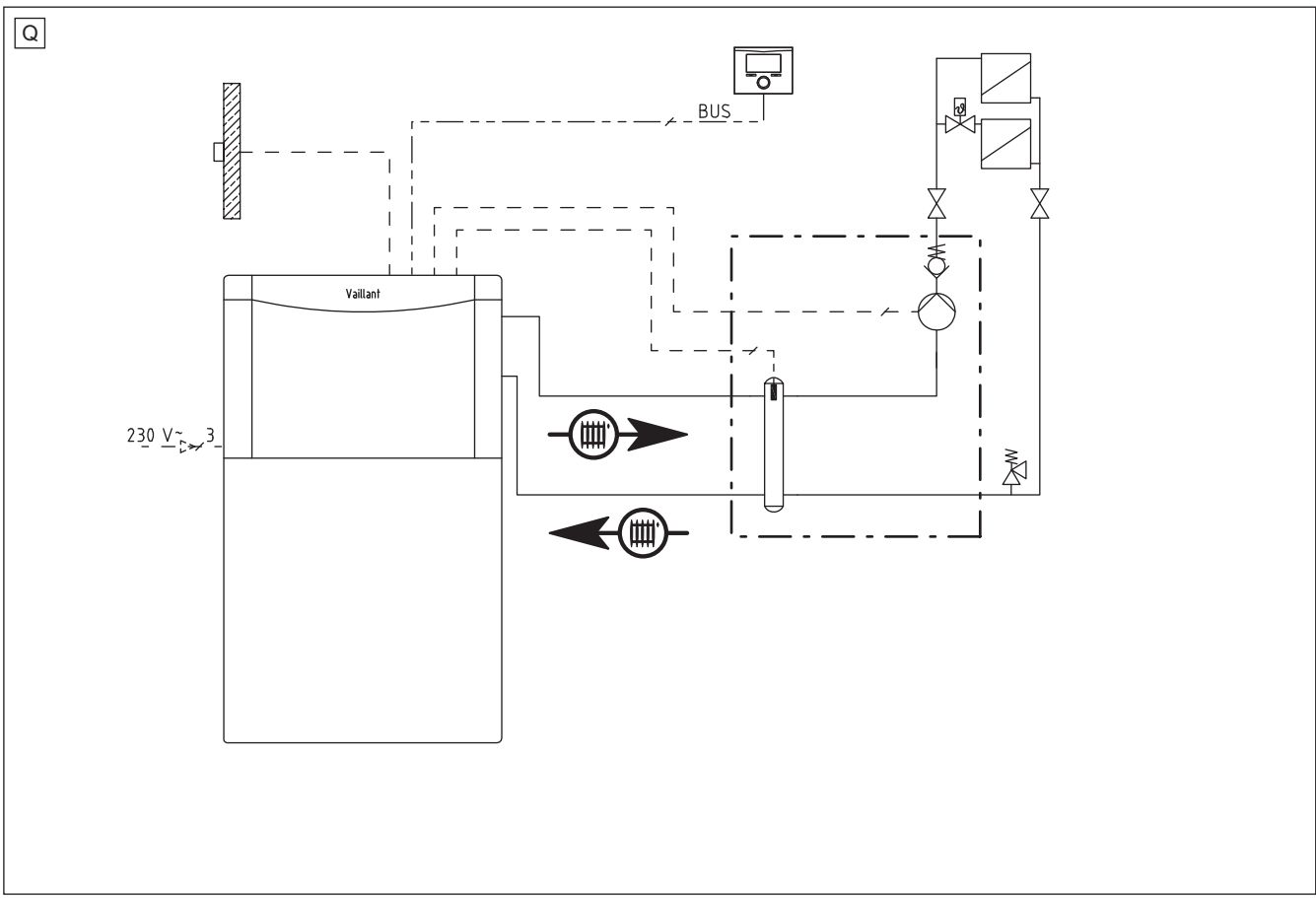
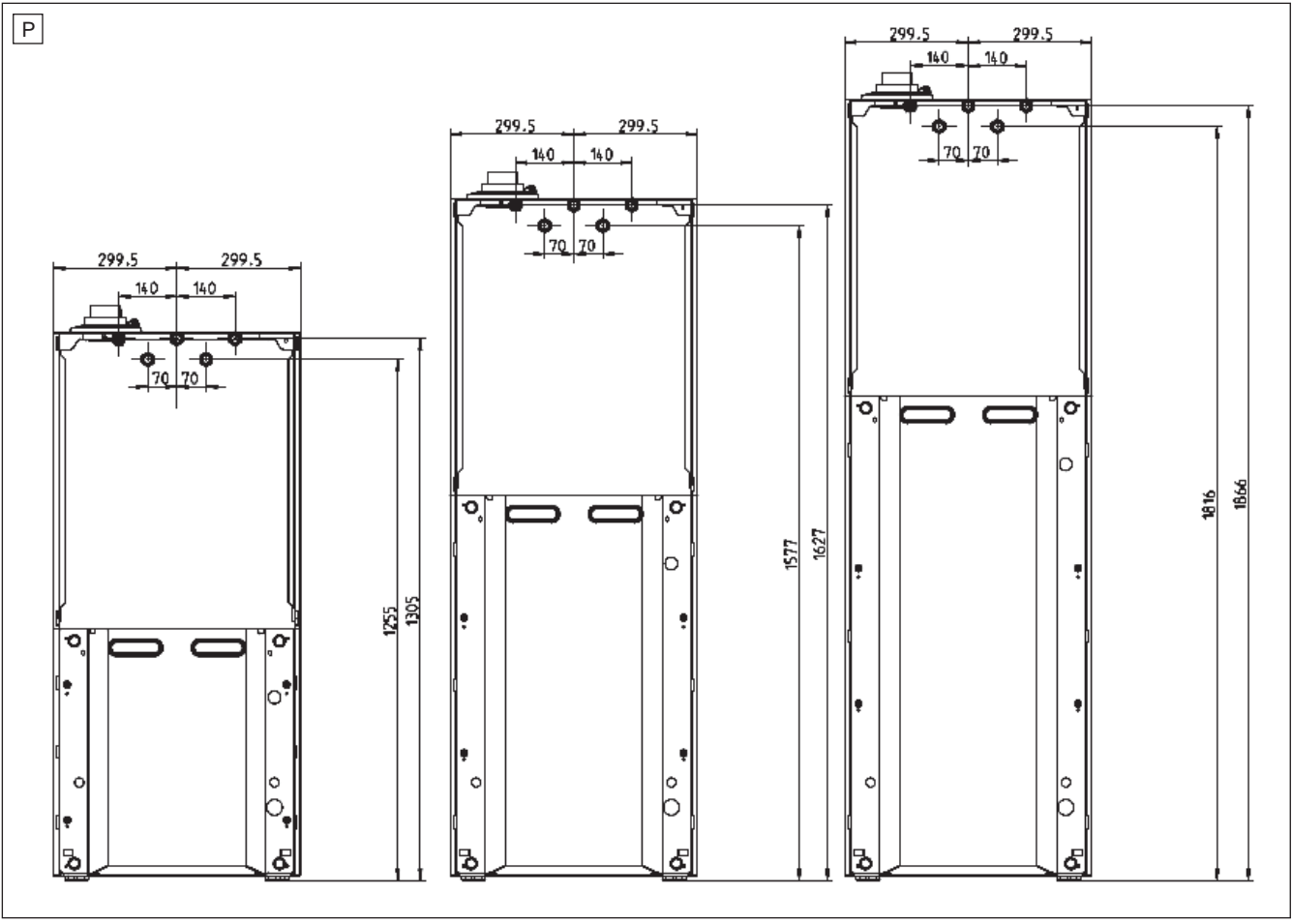


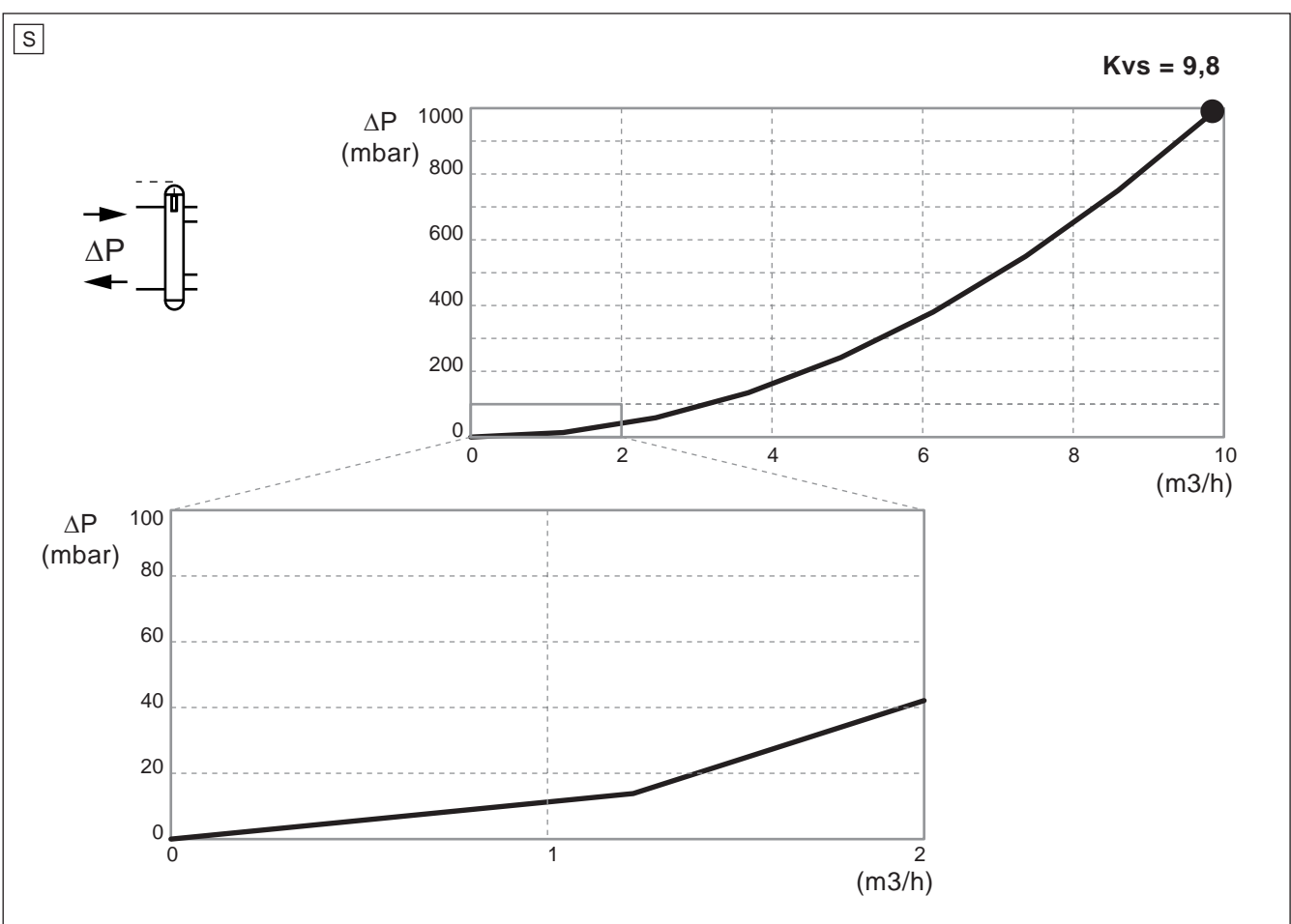
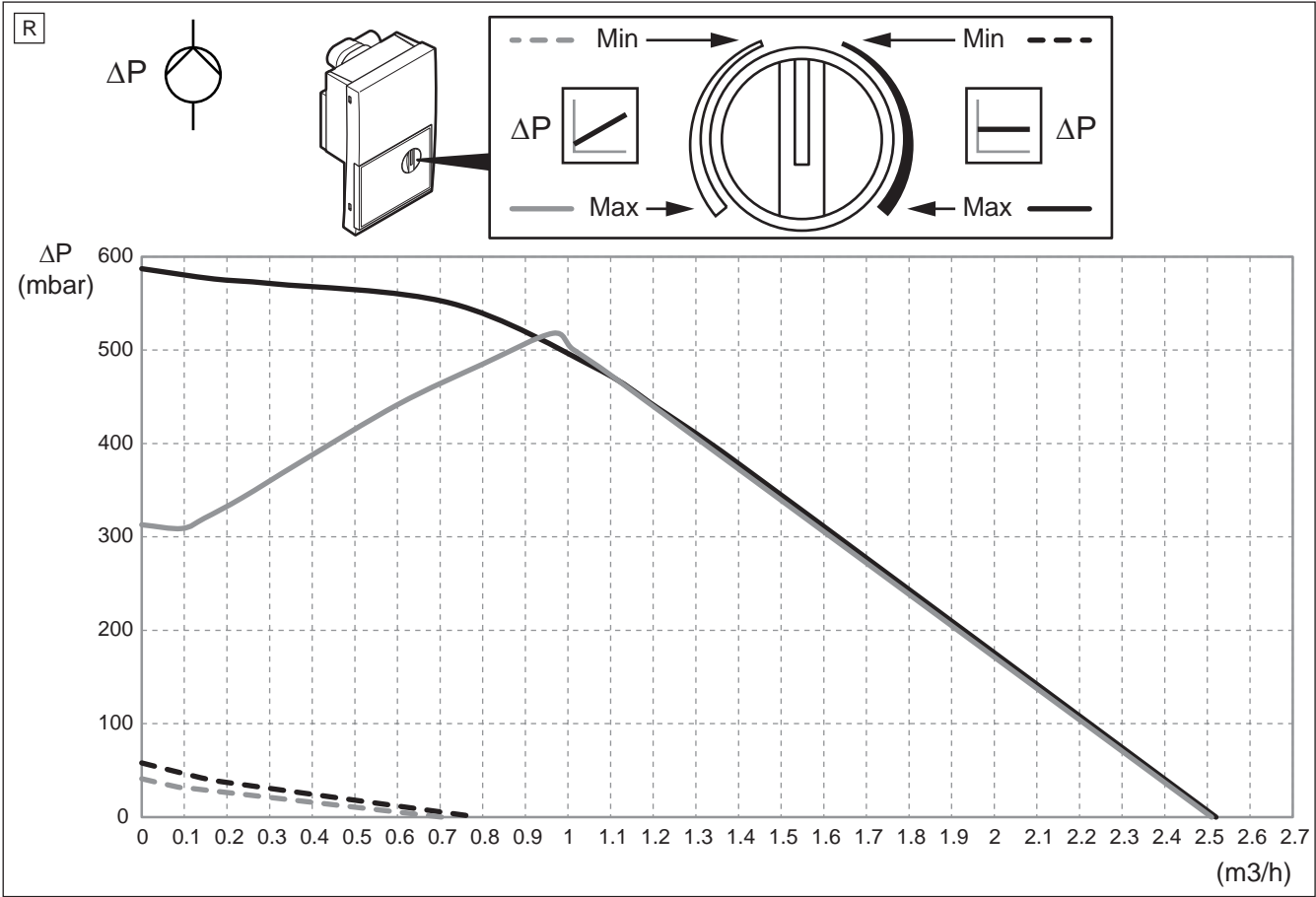
0020170507















0020198552\_00 ■ 22/09/2014

## Manufacturer

### **Vaillant GmbH**

Berghauser Str.40 ■ D-42859 Remscheid  
Telefon 021 91 18-0 ■ Telefax 021 91 18-28 10  
info@vaillant.de ■ www.vaillant.de

© These instructions, or parts thereof, are protected by copyright and may be reproduced or distributed only with the manufacturer's written consent.

