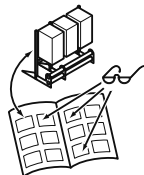

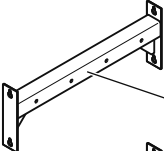
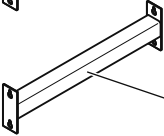
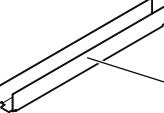
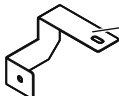

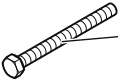




[9]: 0020151813



- 1 x  0020140011 [9]
- 1 x  0020139988 [9]
- 1 x  0020139989 [9]
- 1 x  0020139994 [9]
- 1 x  0020141317 [9]
- 7 x  M8 x 65 [9]
- 8 x  M8 x 75 [9]
- 30 x  A8,4 [9]
- 15 x  M8 [9]